

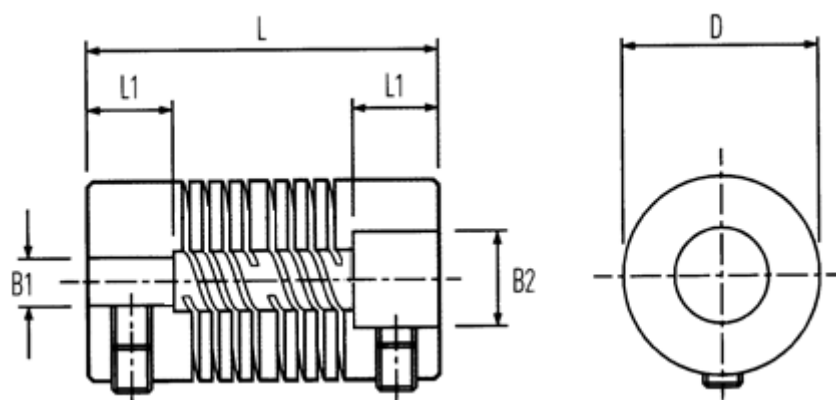
# Data Sheet



Article number: 339706570000

Description: Multibeam 6 Coupling 706.57.0000  
Aluminium relieved & set screw hubs

## Measures



B1: Pre-drilled	= 10.0
B2: Pre-drilled	= 20.00
D	= 57.2
L	= 130.0
L1	= 32.0
Max angular displacement	= 0.95
Max B1 & B2	= 32.00
Max parallel displacement	= 7

Peak Torque NM	= 55.00
Set Screw	= M8